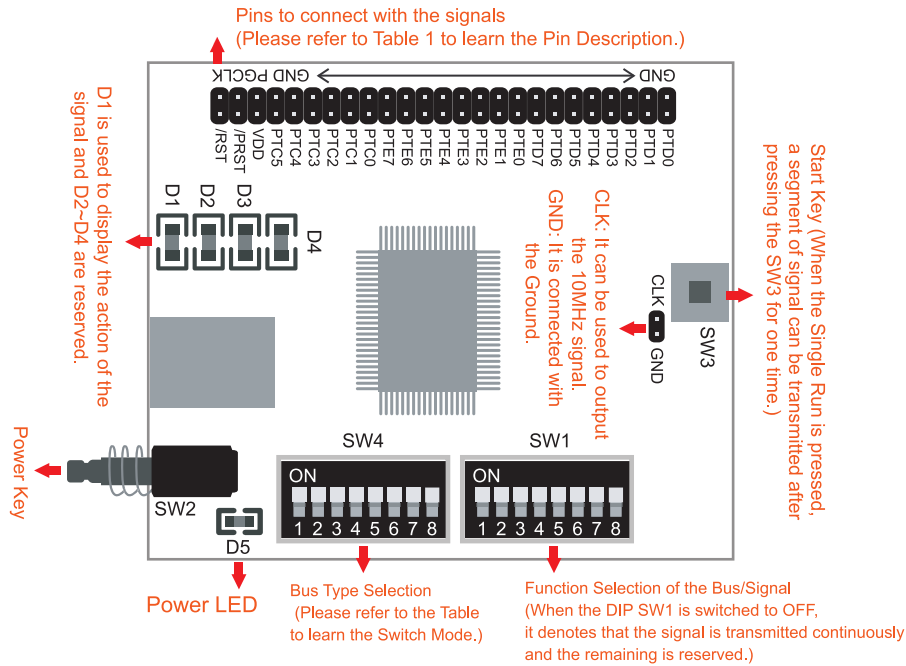


Protocol Simulator Board 2



NO.	Bus Name	Switch Mode of SW4 (Dip Switch)	Pin Description
1	MODIFIED MILLER		MODIFIED MILLER=PTD0
2	ISO7816 UART		DATA=PTD0 CLK=PTD1

NO.	Bus Name	Switch Mode of SW4 (Dip Switch)	Pin Description
3	SCCB		SI0C=PTD0 SI0D=PTD1 SCCB=PTD2
4	I2C (EEPROM 24L)		SDA=PTD0 SCL=PTD1

NO.	Bus Name	Switch Mode of SW4 (Dip Switch)	Pin Description
5	OPENTHERM2.2		DATA=PTD0
6	Philips RC-5		DATA1=PTD0 DATA2=PTD1
7	HD Aduio		BCLK=PTD0 SYNC=PTD1 SDO=PTD2 SDI=PTD3 RST=PTD4
8	UNI/O		SCIO=PTD0
9	MODIFIED SPI		CS=PTD0 SCK=PTD1 SDA=PTD2
10	WIEGAND		DATA0=PTD0 DATA1=PTD1

NO.	Bus Name	Switch Mode of SW4 (Dip Switch)	Pin Description
11	MVB		DATA=PTD0
12	PROFIBUS		D+=PTD0 D-=PTD1
13	Philips RC-6		DATA1=PTD0 DATA2=PTD1
14	HDMI CEC		DATA=PTD0
15	LPT		P0,0~P0,7= PTD0~PTD7 /STROBE=PTE0 /ACK=PTE1 BUSY=PTE2
16	WTB		DATA=PTD0

NO.	Bus Name	Switch Mode of SW4 (Dip Switch)	Pin Description	NO.	Bus Name	Switch Mode of SW4 (Dip Switch)	Pin Description	NO.	Bus Name	Switch Mode of SW4 (Dip Switch)	Pin Description				
17	DSI BUS	 0001 1000	DATA0=PTD0 DATA1=PTD1	21	SVID	 0001 1101	VCLK=PTD0 VDIO=PTD1	25	PCI	 0000 0011	CLK=PTD0 FRAME=PTD1 IRDY=PTD2 TRDY=PTD3 DEVSEL=PTD4 PAR=PTD5 PERR=PTD6 SERR=PTD7 C/BE0-3= PTE0-PTE3 IDSEL=PTE4 STOP=PTE5 RESET=PTE6 AD0=PTE7 AD1~AD7= PTC0-PTC6	29	SDQ	 0000 0110	SDQ=PTD0
18	MICROWIRE (EEPROM 93C)	 0001 1001	CLK=PTD0 CS=PTD1 DI=PTD2 DO=PTD3	22	PT2262/ PT2272	 0001 1110	DATA0=PTD0 DATA1=PTD1	26	HPI	 0001 0111	HCS=PTD0 HCNT1=PTD1 HCNT0=PTD2 RW=PTD3 HDS1=PTD4 HDS2=PTD5 HHWIL=PTD6 D0~D7=PTE0~PTE7	30	DALI Interface	 0000 1011	D+=PTD0 D-=PTD1
19	DM114/ DM115	 0001 1010	CLOCK=PTD0 SERIALIN=PTD1 LATCH=PTD2 ENABLE=PTD3	23	I2C (EEPROM 24LCS61 /24LCS62)	 0001 1111	SDA=PTD0 SCL=PTD1	27	SAMSUNG K9(NAND Flash)	 0000 1110	D0~D7=PTD0~PTD7 CLE=PTE0 ALE=PTE1 /RE=PTE2 /WE=PTE3 WP=PTE4 /CE1=PTE5 R/B1=PTE6	31	SPI (EEPROM AT25F)	 0001 1100	CS=PTD0 SCK=PTD1 SI=PTD2 SO=PTD3 HOLD=PTD4
20	DS1302	 0001 1011	SCLK=PTD0 RST=PTD1 I/O=PTD2	24	SHT11	 0010 0000	SCK=PTD0 DATA=PTD1	28	Compact Flash 4.1	 0000 1111	DMARQ=PTD0 DMACK=PTD1 CS1=PTD2 CS0=PTD3 A0~A2=PTD4~PTD6 IORD=PTD7 IOWR=PTE0 IORDY=PTE1 D0~D5=PTE2~PTE7	32	WWW_ WWWH_ WWWB	 0010 0010	WWWB =PTD0 WWW =PTD2
												33	MIL-STD-1553	 0010 0011	MIL-STD-1553=PTD0